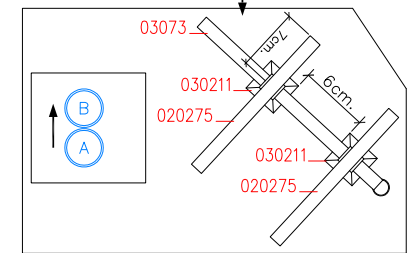
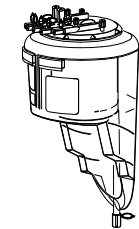
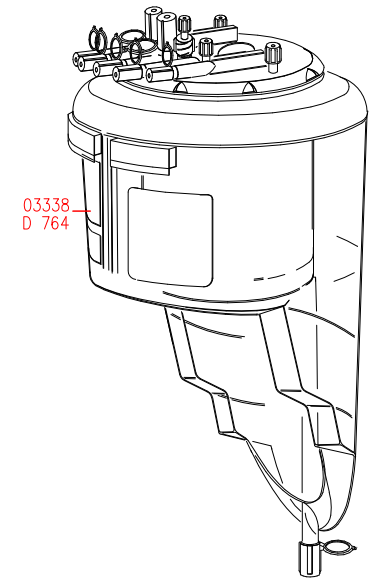


Dimensione pacco 30x30

TABLE PACK 00975

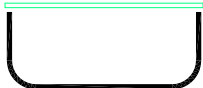
01153

01153



PACKAGING:

Vedi Fig.1



CEC - 61

Country City
PL WARSAW

Istitution
INSTITUTE CARDIOLOGY

Circuit type
INF.

Code
075433

Issue
06

Page
1 of 2

This document contains confidential and proprietary information of SORIN GROUP ITALIA

SORIN GROUP
AT THE HEART OF MEDICAL TECHNOLOGY

All design, reproduction, manufacturing, use and sale rights in such information are reserved.

Dideco Perfusion Tubing
Systems

Drawn by
D. Longhi

Account Administrator
D. Longhi

08.03.2010

RA - Approved BY
08.03.2010