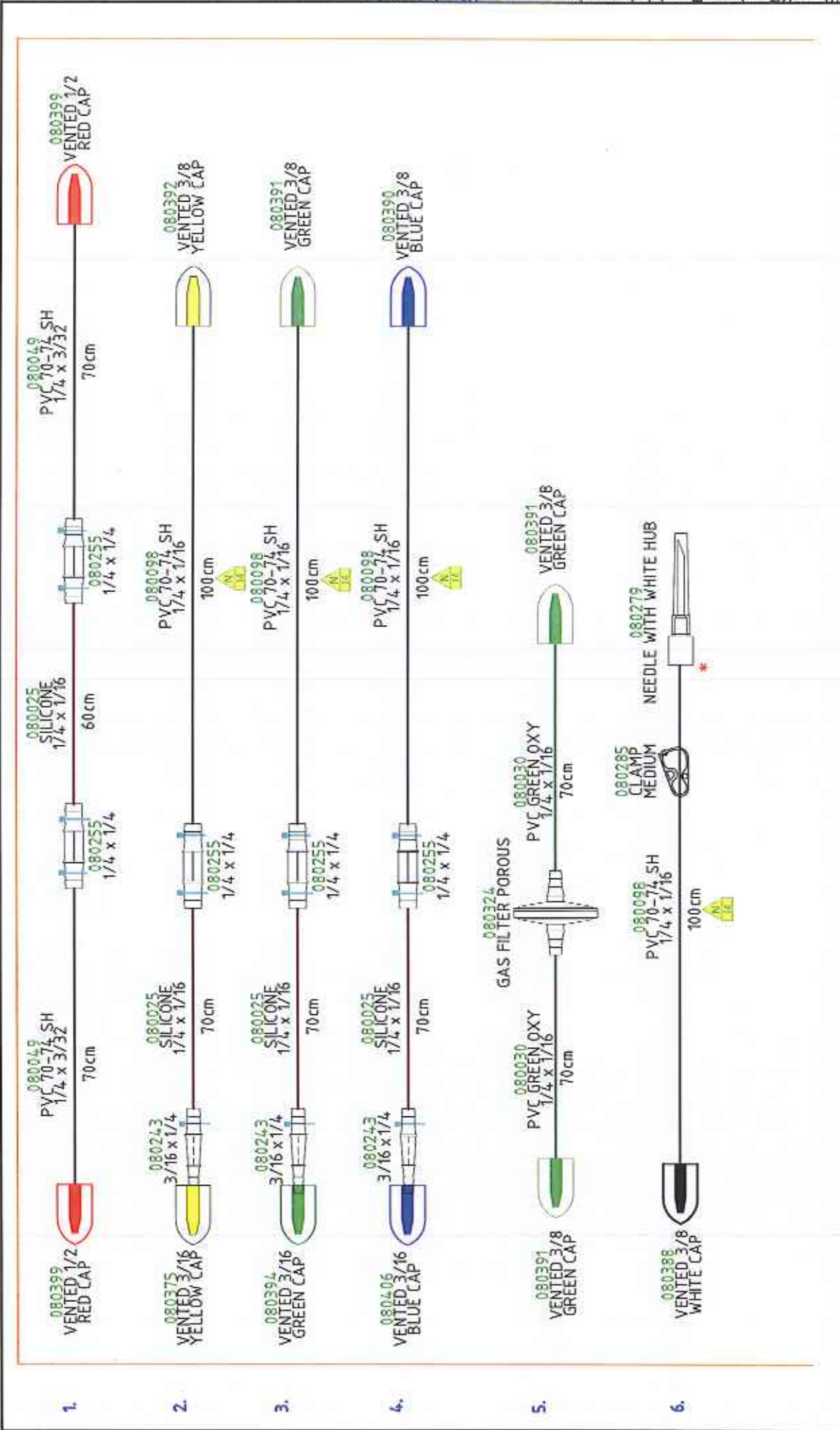
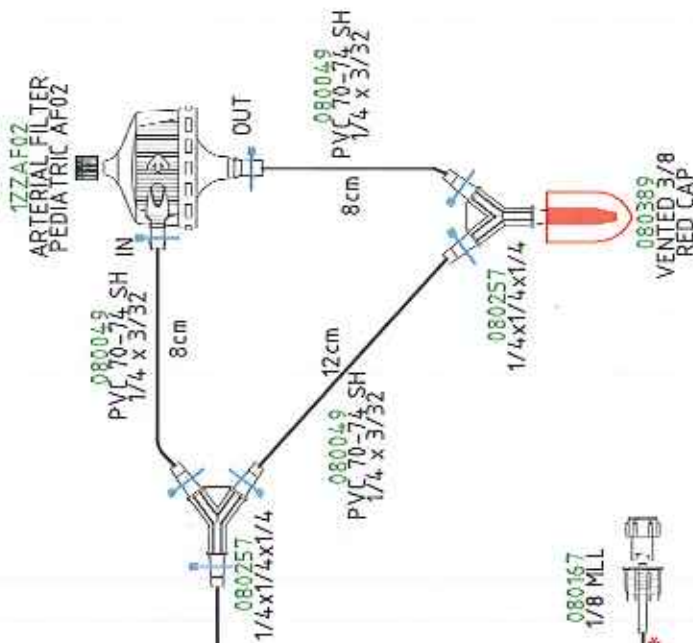


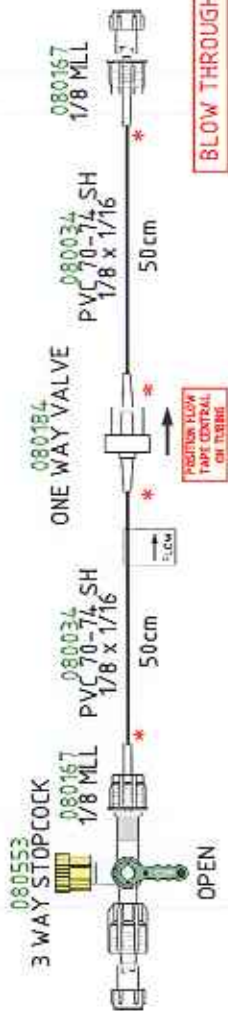
Dot. Grupy 1 Rysunek nr. 1.



<b>CUSTOMER:</b> CHILDRENS UNIVERSITY HOSPITAL CRACOW POLAND	<b>DESCRIPTION:</b> NEONATE PACK	<b>ISSUED:</b> 03/10/2003 <b>AMENDED:</b> 24/03/2011 <small>THIS DOCUMENT IS THE PROPERTY OF TERUMO EUROPE AND MAY NOT BE COPIED BY ANY THIRD PARTY</small>	<b>ISSUE No:</b> 5 <b>SHEET No:</b> 1/4
<b>PRODUCT CODE:</b> CX-PL010	<b>QUOTATION CODE:</b> 2572	<b>TERUMO</b> WE BREATHE LIFE TOGETHER	

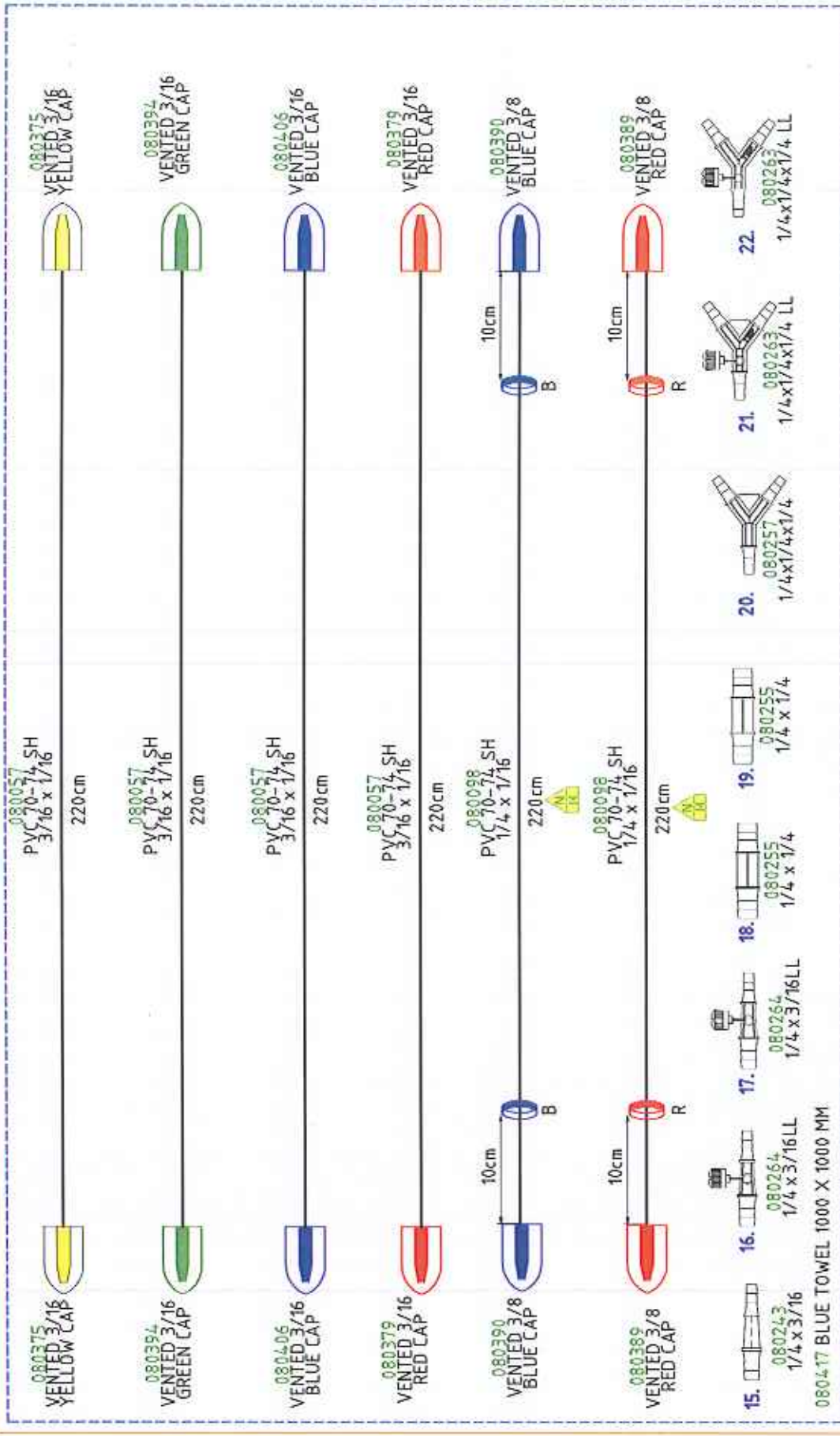


7.



8.

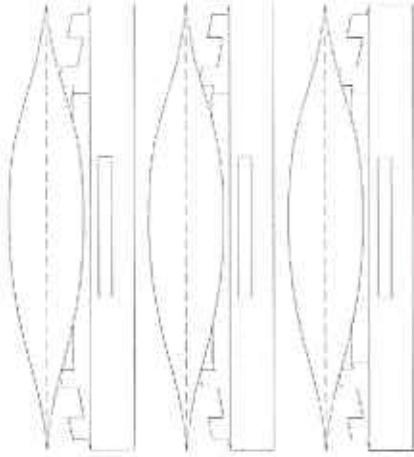
<p><b>CUSTOMER:</b> CHILDRENS UNIVERSITY HOSPITAL CRACOW POLAND</p>	<p><b>DESCRIPTION:</b> NEONATE PACK</p>	<p><b>PRODUCT CODE:</b> CX-PL010 <b>QUOTATION CODE:</b> <b>SPECIFICATION No:</b> 2572</p>
<p><b>DRAWN BY:</b> STEPHEN FLYNN <b>INT. AMEND:</b></p>	<p><b>ISSUED:</b> 03/10/2003 <b>AMENDED:</b> 24/03/2011</p>	<p><b>ISSUE No:</b> 5 <b>SHEET No:</b> 2/4</p>
<p>THIS DOCUMENT IS THE PROPERTY OF TERUMO EUROPE AND MAY NOT BE COPIED BY ANY THIRD PARTY</p> 		



080417 BLUE TOWEL 1000 X 1000 MM  
 080481 GAS POUCH 406 X 572 X 165 MM  
 080481 GAS POUCH 406 X 572 X 165 MM

<b>CUSTOMER:</b> CHILDRENS UNIVERSITY HOSPITAL CRACOW POLAND	<b>DESCRIPTION:</b> NEONATE PACK	<b>ISSUED:</b> 03/10/2003 <b>AMENDED:</b> 24/03/2011 THIS DOCUMENT IS THE PROPERTY OF TERUMO EUROPE AND MAY NOT BE COPIED BY ANY THIRD PARTY
<b>PRODUCT CODE:</b> CX-PL010	<b>QUOTATION CODE:</b> 2572	<b>ISSUE No:</b> 5 <b>SHEET No:</b> 3/4





**PACKING INFORMATION**

EACH GAS POUCH IS TO BE PACKED IN A CARDBOARD TRAY, ONE ON TOP OF ANOTHER. 4 PACKS PER BOX



**PACK LABEL EXAMPLE**



**BOX LABEL EXAMPLE**



478 x 378 x 575  
CARD BOARD BOX  
0.25  
080506

**CUSTOMER:**  
CHILDRENS UNIVERSITY HOSPITAL  
CRACOW  
POLAND

**DESCRIPTION:**  
NEONATE PACK

**PRODUCT CODE:** CX-PL010  
**QUOTATION CODE:** 2572  
**SPECIFICATION No:**

**DRAWN BY:** STEPHEN FLYNN  
**INT. AMEND:**

**ISSUED:** 03/10/2003  
**AMENDED:** 24/03/2011

**ISSUE No:** 5  
**SHEET No:** 4/4

THIS DOCUMENT IS THE PROPERTY OF TERUMO EUROPE AND MAY NOT BE COPIED BY ANY THIRD PARTY.

